



RapiDeck™ Composite Equipment Platform



Installs in an Hour

Light Weight

Low Installation Cost

Highly Slip Resistant

Corrosion Resistant

Non-Conductive

Fibergrate

Composite Structures

High Performance Composite Solutions



RapiDeck™ - The System



Whether a rooftop- or tower-based site, Fibergrate Composite Structures' *RapiDeck™* composite equipment platforms are the perfect solution for supporting site-based telecom equipment. Five standard platforms with adjustable supports are in stock for *Rapid* delivery to your site. In addition to the stock sizes, an almost infinite number of *RapiDeck™* platform configurations can be designed and fabricated to fit your unique application. **Optional accessories such as handrails and stairs are easily added.**

RapiDeck™ Features and Benefits

- **Rapid Delivery from Stock**
- **One-Third the Weight of Comparable Steel Platforms**
 - Lessens load impact on rooftop installations - reduce or eliminate the need for structural reinforcing
 - Significantly reduces shipping costs
 - Reduces installation time
 - Can eliminate need for heavy lifting equipment
- **Efficient Modular Design**
 - Unique adjustable support legs attach directly to decking
 - No beams, no bolting, no welding
 - Flexible, adaptable design allows for *rapid* delivery for both standard and custom platforms
- **Rapid Setup (less than an hour!)**
 - Easily set up by two workers in an hour or less
- **Rapid Field Customization**
 - Conduit and utility cuts easily made with hand or jig saw
 - No field welding or banding required
 - No galvanization required
- **Slip Resistant**
 - *RapiDeck™*'s walking surface provides superior footing to steel in all seasons
- **Non-Conductive**
 - Needs no grounding
- **Corrosion Resistant**
 - Will not rust like steel

RapiDeck™ Platform Features

RapiDeck™ Standard Stocked Platform Sizes *(Around 5.5 psf with grating legs)*

Size	Number of Legs	Weight	Part Number
8' x 12'	28	538 lbs	580812
10' x 16'	43	874 lbs	581016
10' x 20'	45	1,070 lbs	581020
12' x 16'	63	1,117 lbs	581216
16' x 24'	96	2,054 lbs	581624
<i>All platforms are adjustable in height from 14-1/2" to 19-1/2"</i>			

Note: More than 40 other standard non-stocked sizes available

Custom sizes and layouts also available (Call 800-527-4043 for more details)

RapiDeck™ Standard Decking

RapiDeck™ decking panels are a truly unique development for equipment platforms - providing benefits that the installation contractor will appreciate and the carrier will enjoy for years to come. Decking panels are manufactured with Fibergrate's Corvex® resin system, a resin system that was specially formulated to provide a superior service life in an outdoor environment. Additional key features and benefits include:

- **Electrically nonconductive** - requires no grounding
- **One-third the weight of steel decking** (only 3.5 psf) - panels are easily carried by two workers
- **Slip-resistant** concave top surface that is superior to steel - safe in all seasons
- **Class 1 flame spread** when tested in accordance with ASTM E-84
- **Bidirectional strength** - allows for field-cut conduit penetration without the need for additional support framing or banding and offers superior impact resistance
- **Integral color** - cut edges maintain platform aesthetics



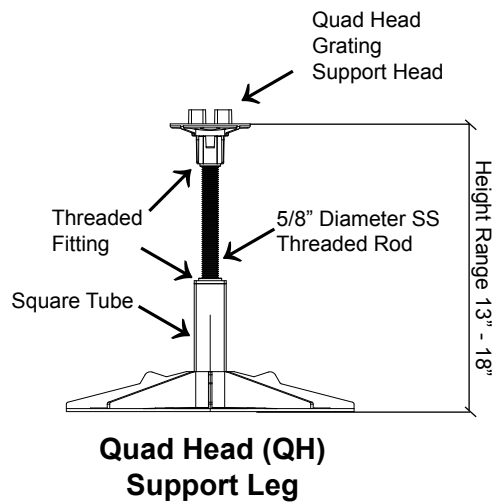
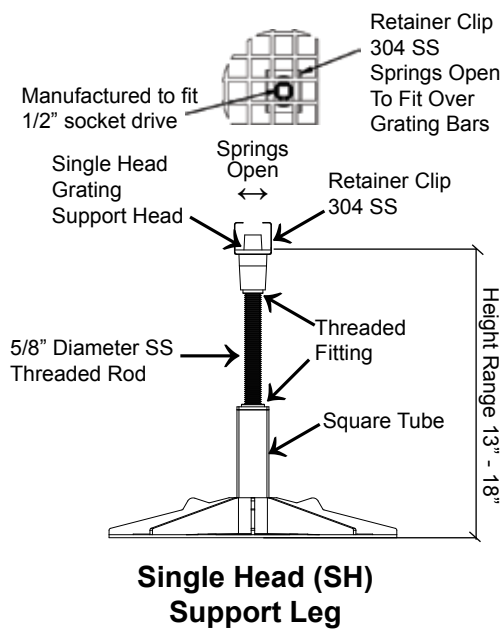
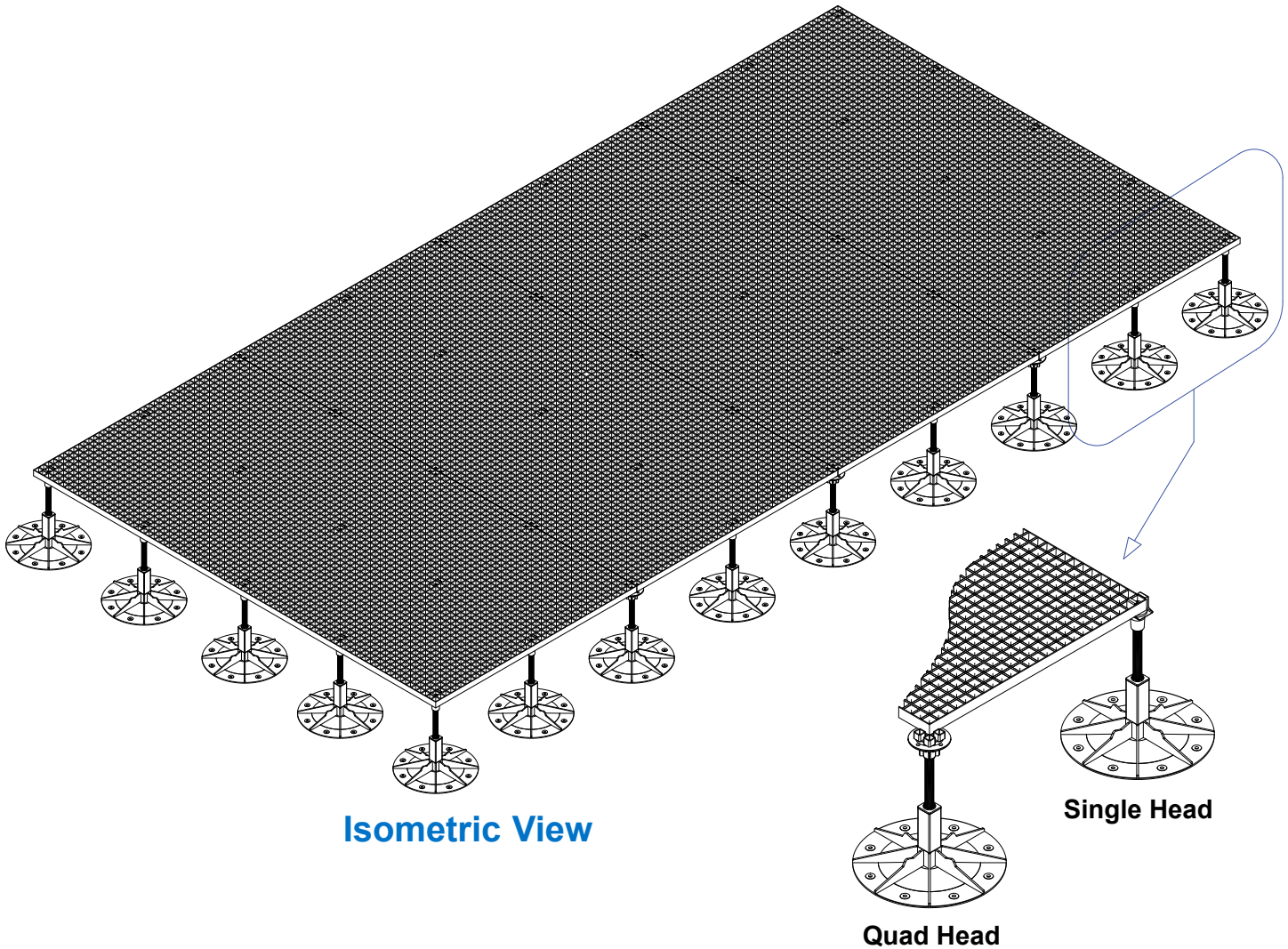
RapiDeck™ Support System

Fibergrate's lightweight, high-capacity support legs with cross bracing will ensure a "rock steady" platform. Most systems are easily assembled by two workers *in an hour or less!* Support features and benefits include:

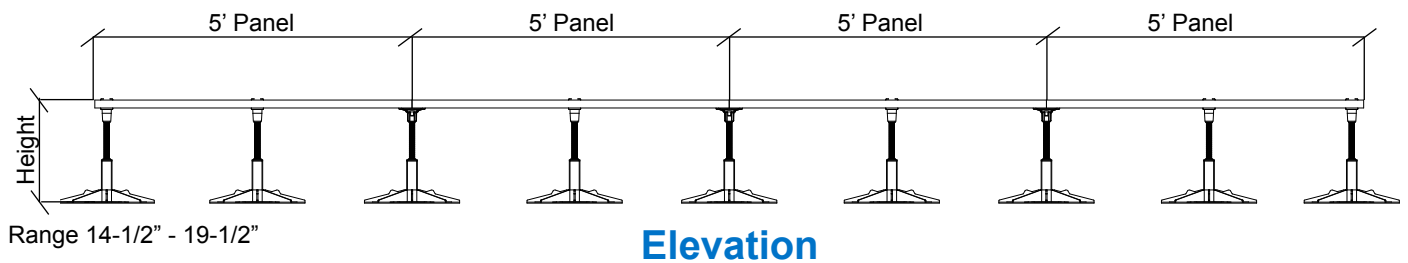
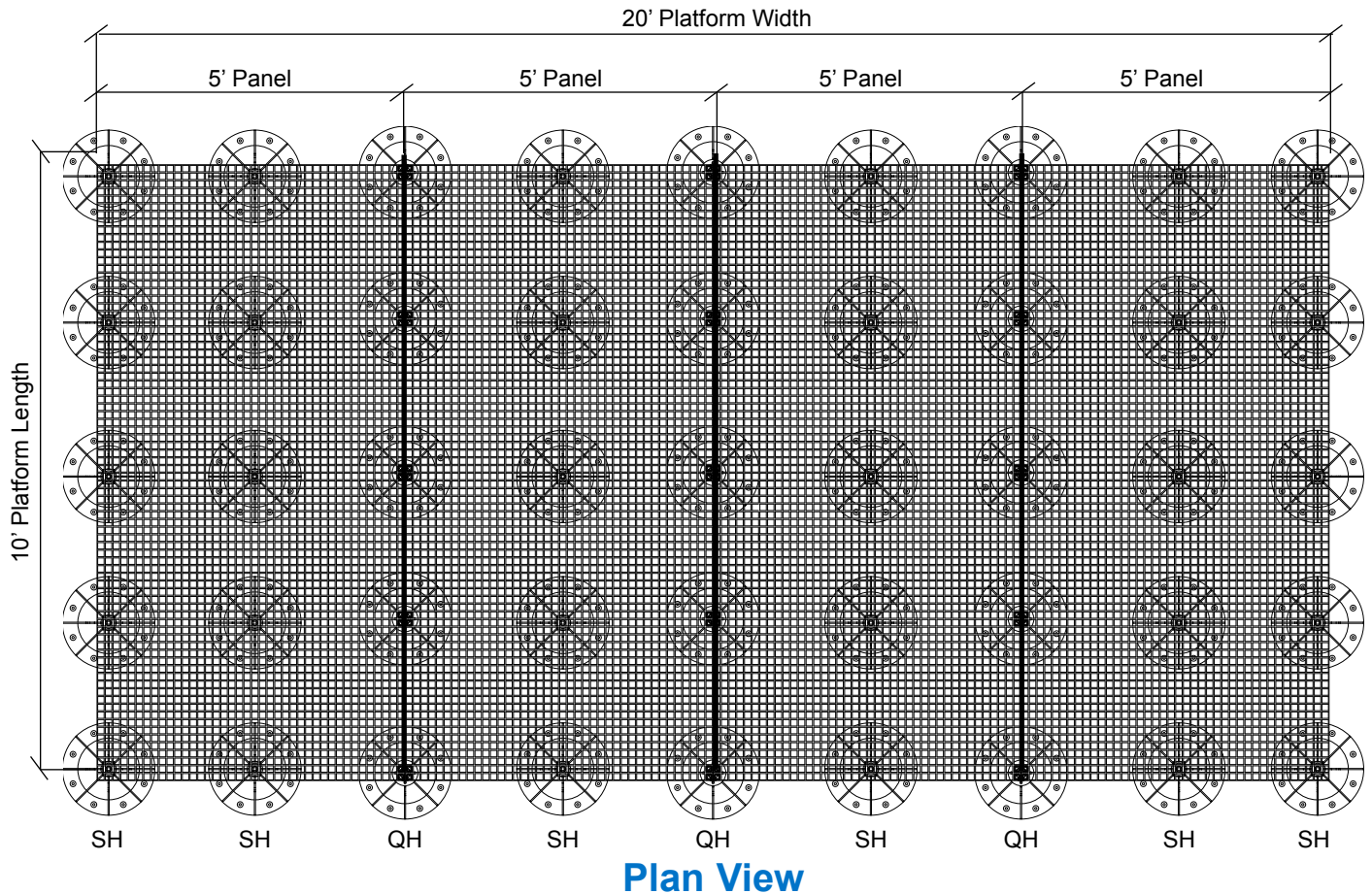
- **Fully adjustable legs**, giving a platform height of 14-1/2" to 19-1/2" to accommodate sloping roofs and uneven gravel bed foundations
- **Large 18" diameter bases** which ensure excellent load distribution and platform stability
- **Corrosion-resistant materials** (composites and stainless steel) used throughout
- **Fully fabricated legs** for rapid installation

Should your platform require taller legs or seismic bracing, please contact your Fibergrate Representative so a custom RapiDeck™ platform can be engineered to meet your needs.

RapiDeck™ Details



RapiDeck™ Details



RapiDeck™ Means Rapid Installation!

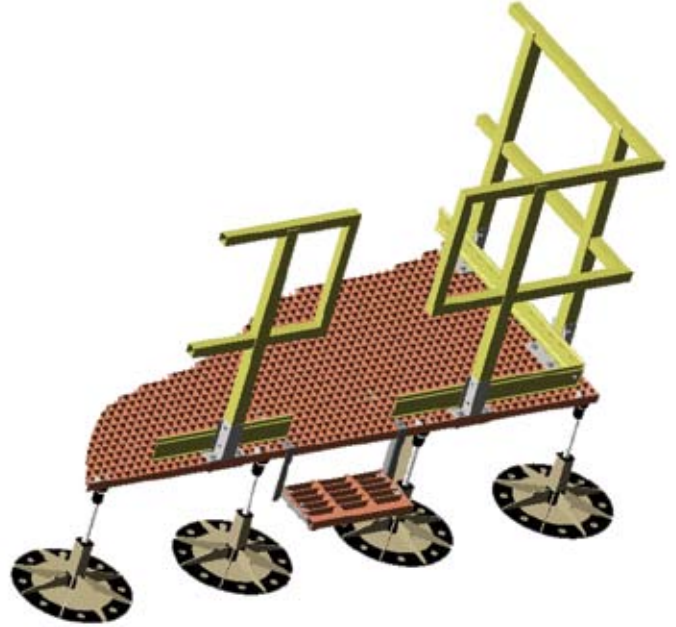
- Set panel on dunnage with concave surface face down
- Invert single head (SH) legs and insert into decking panels as shown on plans - snap retainer clips in place
- Turn panel with legs over - place on quad head (QH) legs as shown on plans
- Level platform - continue with each panel until complete

LESS THAN ONE HOUR TO COMPLETE - THAT IS RAPID!

RapiDeck™ Accessories

Dynarail® Handrail System

Although not required by OSHA, service providers often request a handrail system for equipment platforms. Fibergrate's Dynarail® composite two-rail handrail system can be easily added in the field to any *RapiDeck™* platform. Handrail is OSHA compliant and UV coated for superior outdoor weathering. Available in safety yellow or light gray.



Fibertred® Step

An 18"- or 24"-wide step can be easily attached to any side of the *RapiDeck™* platform. Fibergrate's Fibertred® composite stairtread provides sure footing in all weather conditions and is supported by galvanized steel supports. The step is 9" below the surface of the platform.

Fibergrate® Telecommunications Solutions



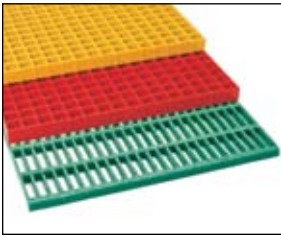
Alternative Telecommunications Solutions

Fibergrate Composite Structures Inc. has more than 40 years of experience in engineering, design, manufacturing and fabrication of structural composites. This wealth of experience enables Fibergrate to provide telecommunications customers with the most cost-effective composite solutions for their projects.

The RF transparent and lightweight features of Fibergrate's products make them ideal for virtually all telecommunications projects at prices comparable to galvanized steel or aluminum. Some of the areas for which Fibergrate has provided custom telecommunications solutions include:

- Antenna Concealment
 - Penthouses
 - Parapets
 - Architectural features and finishes
 - Clock towers/tower extensions
 - Bell towers
 - Steeples
 - Silos
 - Chimneys
 - Stacks
- Antenna Support Structures
 - 1 - 4 Sector framing
 - Ballasted skirts or hard-mounted framework
- Faux Rooftop Stacks
 - Complete with skid and antenna mounting post
 - 1 - 3 Sector designs
 - 18" to 36" Diameter
 - Cone or plain top
- Ice Shields
 - Protects tower mounted telecom, broadcast and microwave antennae from falling ice
 - High impact resistance
- Equipment Platforms
 - Fibergrate can design and fabricate custom FRP equipment and access platforms for even the most difficult applications





Fibergrate® Molded Grating

Fibergrate molded gratings are designed to provide the ultimate in reliable performance, even in the most demanding conditions. Fibergrate offers the widest selection in the market with ten resins including Chemgrate CP-84 and seventeen grating configurations available in many panel sizes and surfaces.

RIGIDEX® Moltruded® Grating

RIGIDEX Moltruded gratings are the first fiberglass gratings to combine the corrosion resistance of molded grating with the longer span capacity of pultruded grating, all at the low cost of metal gratings.



Safe-T-Span® Pultruded Industrial and Pedestrian Gratings

Combining corrosion resistance, long-life and maintenance-free designs, Safe-T-Span provides unidirectional strength for industrial and pedestrian pultruded grating applications.

Dynarail® Handrail

Easily assembled from durable prefabricated components or engineered to your specifications, Dynarail handrail meets or exceeds OSHA and strict building code requirements for safety and design.

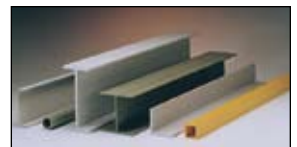


Dynarail® Safety Ladder System

Easily assembled on site, Dynarail safety ladder systems meet or exceed OSHA requirements. Though less costly than prefabricated ladder systems, these safety ladders provide a custom fit to the supporting structure.

Dynaform® Structural Shapes

Fibergrate offers a wide range of pultruded structural components for industrial use, including bars, rods, tubes, beams, channels, leg angles and plates.



Stair Solutions

Fibergrate offers a wide range of slip-resistant products to meet your stair safety issues. These durable products which include treads, tread covers and covered stair treads are a long-term, cost-efficient solution for your facility.

Fabrication Services

Combining engineering expertise with an understanding of fiberglass applications, Fibergrate provides turnkey design and fabrication of fiberglass structures, including platforms, catwalks, stairways and test racks.

