



StormGrip™ System

Corrosion Resistant

Proven Hold Down Method

Washout Warranty

Engineered System

Long, Term Cost Effective System

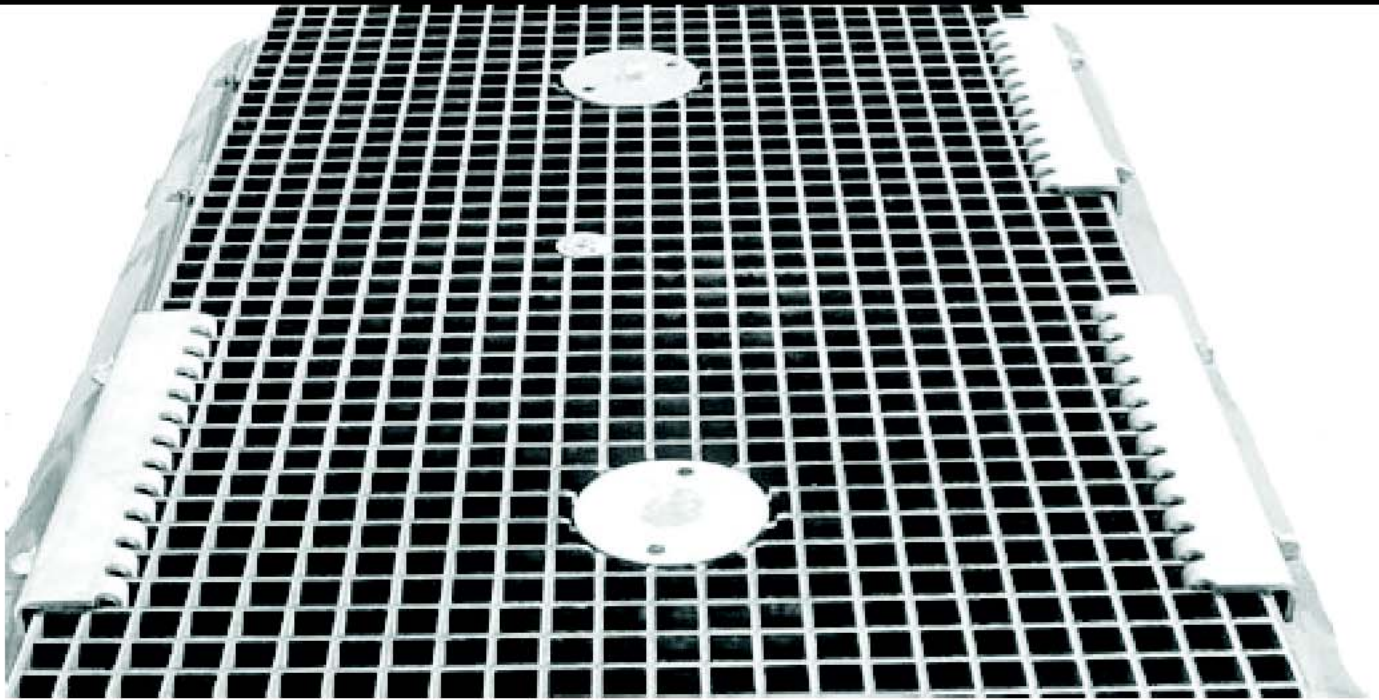
Fibergrate

Composite Structures

High Performance Composite Solutions



Fibergrate Offshore Solutions



For decades, Fibergrate's square mesh molded grating has been the standard for wave zone applications due to its bidirectional strength, unparalleled impact strength and superior resistance to wave action. With the addition of the StormGrip™ System, Fibergrate continues to be *the provider* of long-term solutions for the offshore industry. Fibergrate's StormGrip System is a warranted system that ensures your grating investment will be protected no matter the size of the storm.

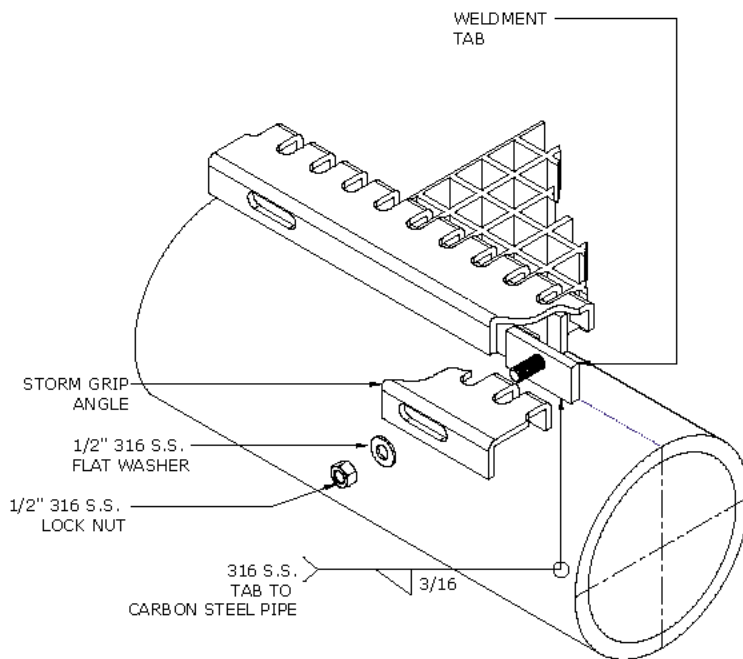
The StormGrip System is specifically engineered for the destructive wave zone area on an offshore production platform. These areas see damaging waves daily and it is imperative to secure landing walkways and stairways in this area. Whether you use the proven StormGrip System utilizing the claw angles or the new Hilti X-BT System, Fibergrate offers a Limited Three-Year Incremental and Renewable Washout Warranty.

The traditional StormGrip System uses 316 stainless steel claw angles and plates to firmly secure the grating to the platform. The Hilti X-BT System utilizes the powder-actuated X-FCM grating fastening disk system for dramatic material and labor savings over the traditional StormGrip. Fibergrate also offers a specialized solution for customers who want a hybrid StormGrip/Hilti System which can include the warranty. All systems include Fibergrate's high quality molded FRP grating that complies with the regulations or many internationally recognized organizations including ABS and DNV Type Approvals. All Fibergrate products come from an ISO 9001:2000 approved facility again proving Fibergrate's commitment to excellence in all aspects of business. Fibergrate's commitment to the offshore industry includes several offshore field specialists and distributors available to answer questions around the globe. Call for the specific details regarding these warranted systems today!

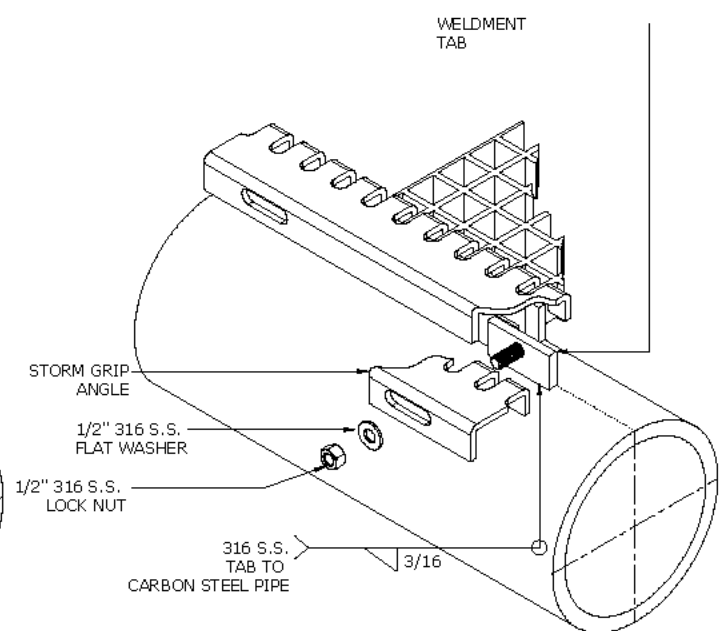
StormGrip™ System

The Fibergrate StormGrip attachment system is a multiple component system. The key component is an engineered claw angle used around the perimeter edges of the top of jacket and boat landing walkways. The claw angles are secured using equally spaced weldment tabs and 316 stainless steel mounting hardware. Top access plates are used in areas where grating spans are wider than 4 feet and where grating is placed in awkward angles that do not allow meshing of the grating and the claw angles. The top access plates require the welding of an anchoring base plate below the level of the grating. A 1/4" recess in the surface of the FRP grating is made to eliminate the risk of a trip hazard. In addition, these areas may require a third and final component: an angle without claws. This angle is attached in the same manner as the claw angle, except that there are no claws to drop into the grating surface.

Because of the variety of mounting hardware, and the wide variety of structures already in operation, Fibergrate will need as-built drawings or a thorough field survey to engineer the proper system. New platforms require electronic drawings for appropriate layout. All warranted systems include installation drawings.



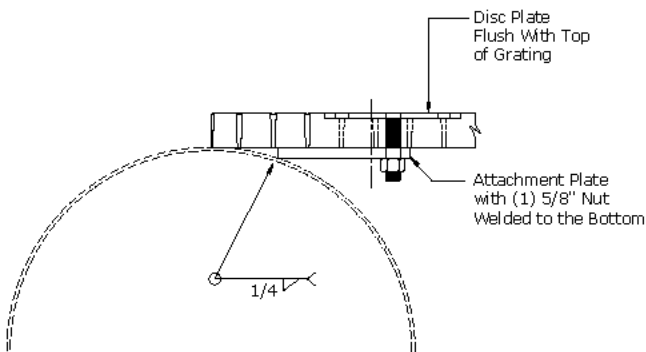
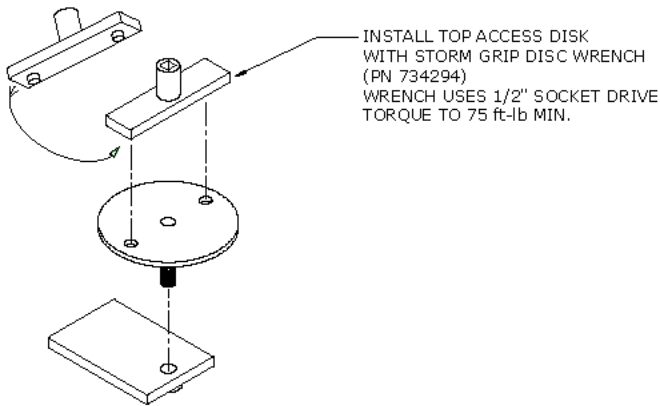
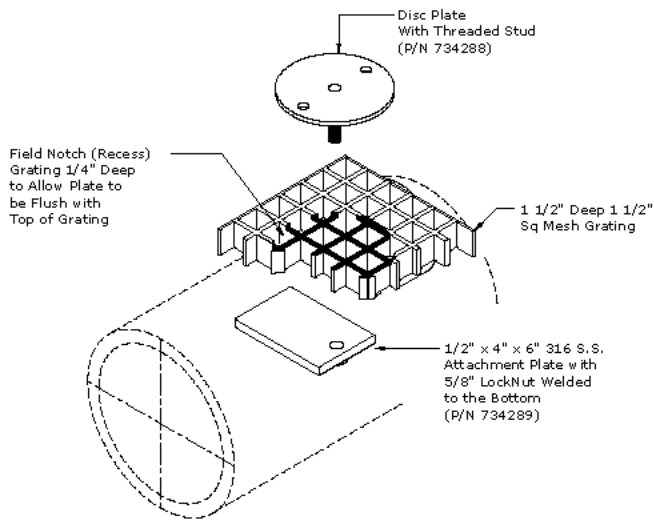
STORMGRIP CLAW ANGLE ASSEMBLY (PN 710540)



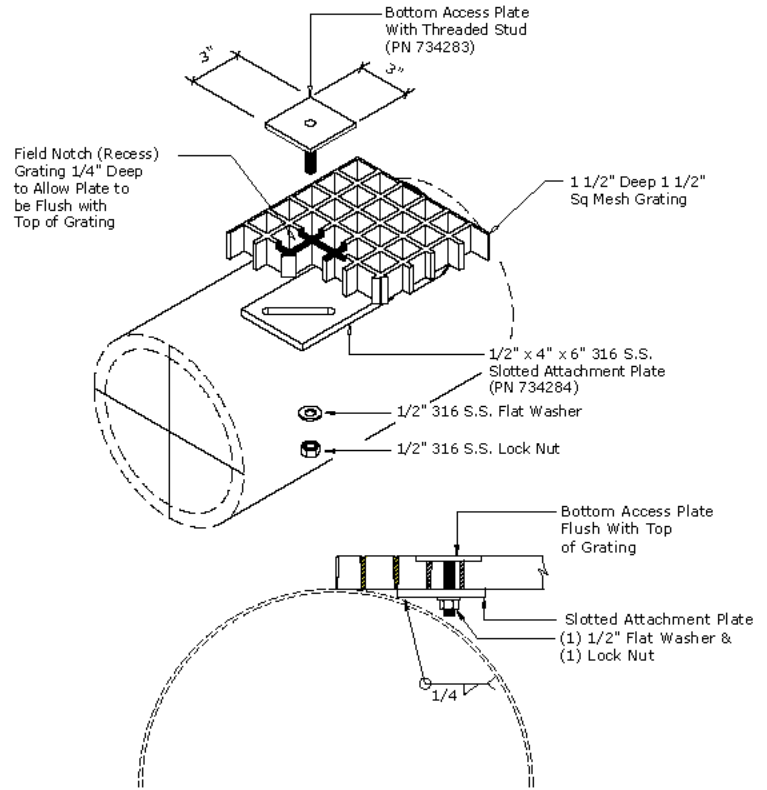
STORMGRIP STRAIGHT ANGLE ASSEMBLY (PN 710545)

StormGrip™ System Components

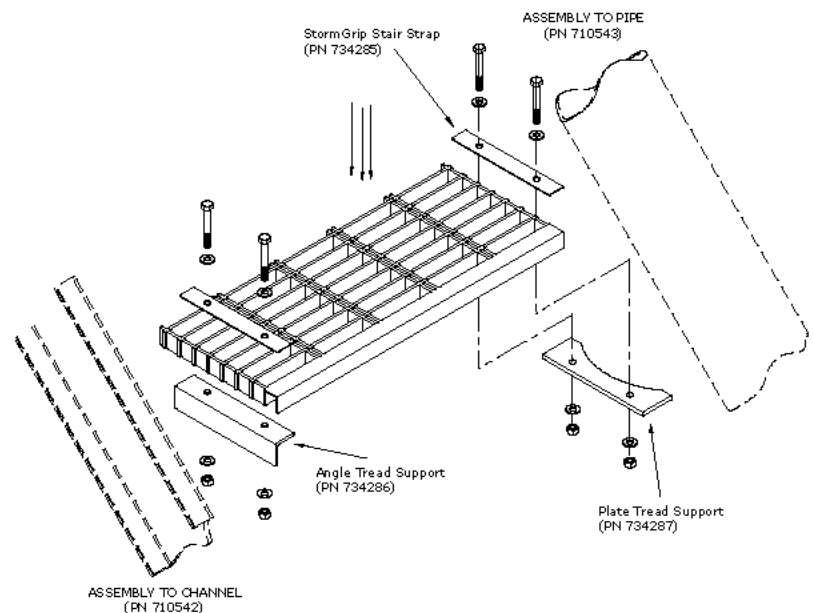
TOP ACCESS PLATE ASSEMBLY (PN 710544)



BOTTOM ACCESS PLATE ASSEMBLY (PN 710541)



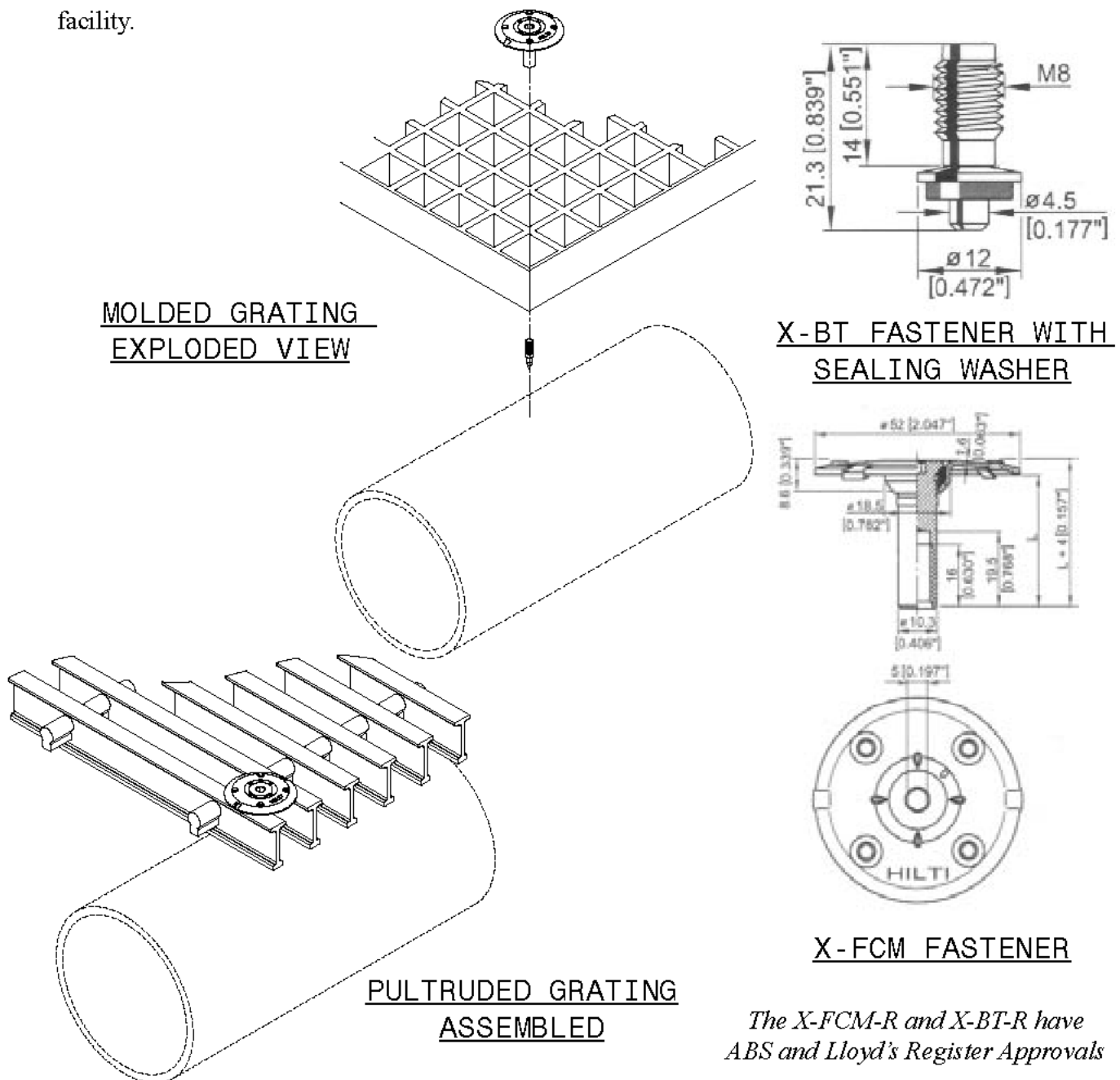
STAIR TREAD STRAP PLATES



Hilti X-BT System

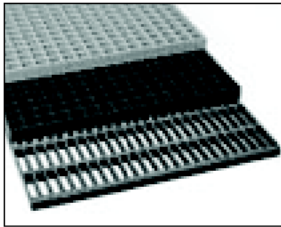
In order to fulfill the needs of our customers, Fibergrate also offers a warranty which includes the Hilti X-BT attachment system. This system incorporates both the Hilti X-BT fastener and the StormGrip claw angle component or a system which uses Hilti X-BT fasteners alone. The Hilti X-BT system offers the faster installation and requires no paint repair after installation.

Again, a survey of an existing platform would be required to insure proper installation of the fastening hardware and to activate the warranty. A new structure could be fully inspected in the fabrication facility.



*The X-FCM-R and X-BT-R have
ABS and Lloyd's Register Approvals*

Fibergrate Products and Services

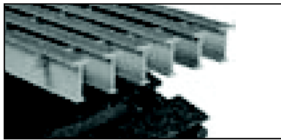
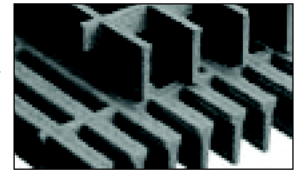


Fibergrate® Molded Grating

Fibergrate molded gratings are designed to provide the ultimate in reliable performance, even in the most demanding conditions. Fibergrate offers the widest selection in the market with more than ten resins including Chemgrate CP-84 and more than twenty grating configurations available in many panel sizes and surfaces.

RIGIDEX® Moltruded® Grating

RIGIDEX Moltruded gratings are the first fiberglass gratings to combine the corrosion resistance of molded grating with the longer span capacity of pultruded grating, all at the low cost of metal gratings.

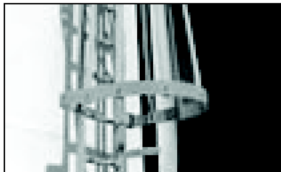
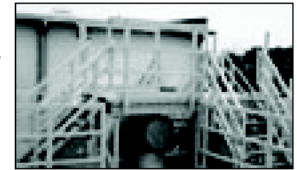


Safe-T-Span® Pultruded Industrial and Pedestrian Gratings

Combining corrosion resistance, long-life and low-maintenance designs, Safe-T-Span provides unidirectional strength for industrial and pedestrian pultruded grating applications.

Dynarail® Handrail

Easily assembled from durable prefabricated components or engineered to your specifications, Dynarail handrail meets or exceeds OSHA and strict building code requirements for safety and design.

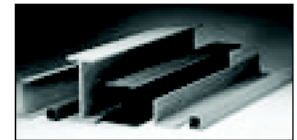


Dynarail® Safety Ladder System

Easily assembled on site, Dynarail safety ladder systems meet or exceed OSHA requirements. Though less costly than prefabricated ladder systems, these safety ladders provide a custom fit to the supporting structure.

Dynaform® Structural Shapes

Fibergrate offers a wide range of pultruded structural components for industrial use, including bars, rods, tubes, beams, channels, leg angles and plates.

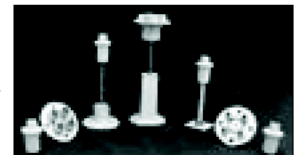


Stair Solutions

Fibergrate offers a wide range of slip-resistant products to meet your stair safety needs. These durable products which include treads, tread covers and covered stair treads are a long-term, cost-efficient solution for your facility.

Grating Pedestals

Uniquely designed adjustable single and quad head pedestals for square mesh molded grating are manufactured to provide safe and economical support for elevated flooring.



Engineering and Fabrication Services

Combining engineering expertise with an understanding of fiberglass applications, Fibergrate provides turnkey design and fabrication of fiberglass structures, including platforms, catwalks, stairways and test racks.